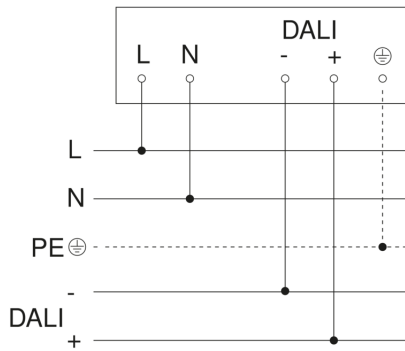


IS 3360

DALI-2 APC - in-ceiling installation, rd.
EAN 4007841 080631
Article number 080631



Master circuit diagram



Circuit diagram for interconnecting DALI-2 APC with DALI-2 IPD

